

Ver. | - -

„ORIGINAL INSTRUCTIONS“

**IMPORTANT NOTE:**

Read this manual carefully before installing or operating your new air conditioning unit. Make sure to save this manual for future reference.

**EN**

For downloading manual for this product, please enter the model name at this link:

**SK**

Pre stiahnutie manuálu k tomuto produktu zadajte modelové označenie do nasledujúceho odkazu:

**HR**

Za preuzimanje priručnika za ovaj proizvod unesite naziv modela na ovu vezu:

**SL**

Za prenos navodil za uporabo tega izdelka, vnesite ime modela na tej povezavi:

**IT**

Per scaricare il manuale di questo prodotto, inserisci il nome del modello a questo link:

**CZ**

Pro stažení manuálu k tomuto produktu zadejte modelové označení do následujícího odkazu:

**DE**

Um das Handbuch für dieses Produkt herunterzuladen, geben Sie bitte den Modellnamen für diesen Link ein:

**HU**

Termék kézikönyvének letöltéséhez írja be a modell megnevezését az alábbi linkre:

**RU**

Чтобы загрузить руководство для этого продукта, введите обозначение модели по следующей ссылке:

**ES**

Para descargar el manual de este producto, ingrese la designación del modelo en el siguiente enlace:



# Installation Instruction of WiFi Module

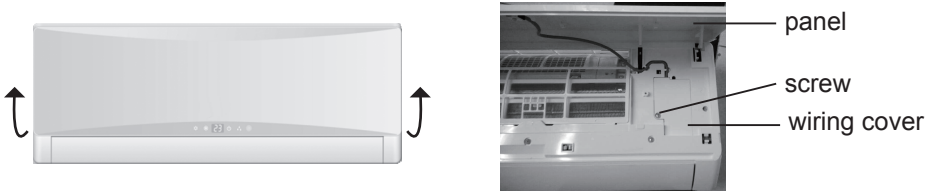
## Installation Instruction for WiFi Module

### Installation steps of WiFi module

Before installation, please confirm whether the purchased WiFi module complies with this unit.

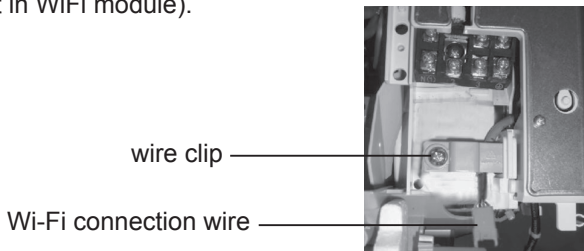
**WARNING:** Installation must be performed by qualified professionals. Otherwise, it may cause personal injury or damage. Do not put through the power before finishing installation.

1. Open the panel of indoor unit as show in the fig and unscrew the screw on the electric box cover.

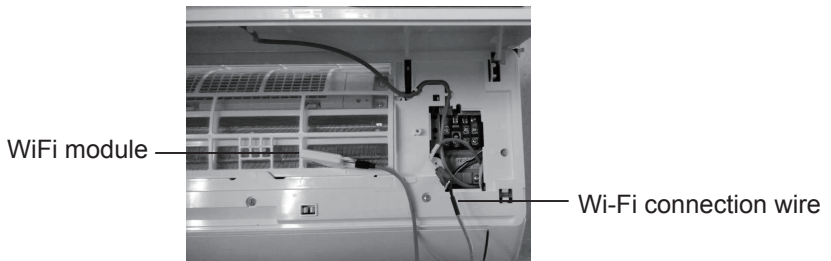


**NOTICE:** Actual product may be different from above graphics, please refer to actual product.

2. Open the electric box cover and you can see the WiFi connection wire.  
(The color of WiFi connection wire is the same as the color of connection port in WiFi module).



3. Remove the wire clip, pull out the WiFi connection wire from the electric box and then connect it with the port in WiFi module.

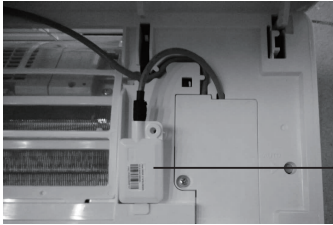


**NOTICE:** the WiFi connection wire shall go through the wire groove, otherwise the electric box cannot be closed.

# Installation Instruction of WiFi Module

4. Place the WiFi module beside the electric box. After confirming the position, please fix the WiFi module with screws.

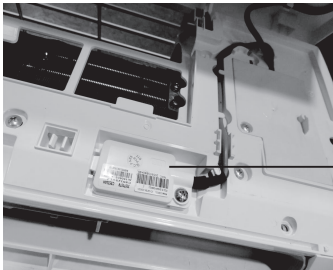
**NOTICE:**the position for placing WiFi module may be different for different models; actual position please refer to the actual situation.



WiFi module



WiFi module



WiFi module

5. Neaten the WiFi connection wire, close the electric box cover and then tighten the screws.

6. After closing the panel of indoor unit, the installation of WiFi module is done.

**NOTICE:**

regarding the Ray series (SIH-xxBIRx) and Keyon SIH-07BIKx, additional WiFi support is required for installation due to collision with units display in the standard position. This accessory is available as an individual spare part, order number 9200114060011.

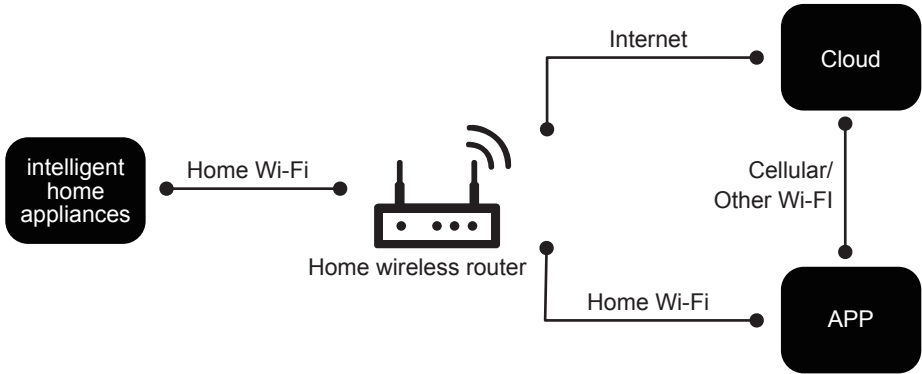


WiFi support



# Ewpe Smart App Operation Manual

## Control Flow Chart



## Operating Systems

Requirement for User's smart phone:



iOS system  
Support iOS7.0 and  
above version



Android system  
Support Android 4.4 and  
above version

## Download and Installation



App Download Linkage

Scan the QR code or search "Ewpe Smart" in the application market to download and install it. When "Ewpe Smart" App is installed, register the account and add the device to achieve long-distance control and LAN control of smart home appliances.

For more information, please refer to "Help" in App.

## NOTE CONCERNING PROTECTION OF ENVIRONMENT



This product must not be disposed of via normal household waste after its service life, but must be taken to a collection station for the recycling of electrical and electronic devices. The symbol on the product, the operating instructions or the packaging indicate such disposal procedures. The materials are recyclable in accordance with their respective symbols. By means of re-use, material recycling or any other form of recycling old appliances you are making an important contribution to the protection of our environment. Please ask your local council where your nearest disposal station is located.

In case of quality problem or other please contact your local supplier or authorized service center.

**Emergency number: 112**

### PRODUCER

SINCLAIR CORPORATION Ltd.  
16 Great Queen Street  
WC2B 5AH London  
United Kingdom  
[www.sinclair-world.com](http://www.sinclair-world.com)

This product was manufactured in China (Made in China).

### REPRESENTATIVE

SINCLAIR Global Group s.r.o.  
Purkynova 45  
612 00 Brno  
Czech Republic

### TECHNICAL SUPPORT

SINCLAIR Global Group s.r.o.  
Purkynova 45  
612 00 Brno  
Czech Republic  
Tel.: +420 800 100 285 | Fax: +420 541 590 124  
[www.sinclair-solutions.com](http://www.sinclair-solutions.com) | [info@sinclair-solutions.com](mailto:info@sinclair-solutions.com)







**EN**

For downloading manual for this product, please enter the model name at this link:

**SK**

Pre stiahnutie manuálu k tomuto produktu zadajte modelové označenie do nasledujúceho odkazu:

**HR**

Za preuzimanje priručnika za ovaj proizvod unesite naziv modela na ovu vezu:

**SL**

Za prenos navodil za uporabo tega izdelka, vnesite ime modela na tej povezavi:

**IT**

Per scaricare il manuale di questo prodotto, inserisci il nome del modello a questo link:

**CZ**

Pro stažení manuálu k tomuto produktu zadejte modelové označení do následujícího odkazu:

**DE**

Um das Handbuch für dieses Produkt herunterzuladen, geben Sie bitte den Modellnamen für diesen Link ein:

**HU**

Termék kézikönyvének letöltéséhez írja be a modell megnevezését az alábbi linkre:

**RU**

Чтобы загрузить руководство для этого продукта, введите обозначение модели по следующей ссылке:

**ES**

Para descargar el manual de este producto, ingrese la designación del modelo en el siguiente enlace:





**sinclair**

AIR CONDITIONING